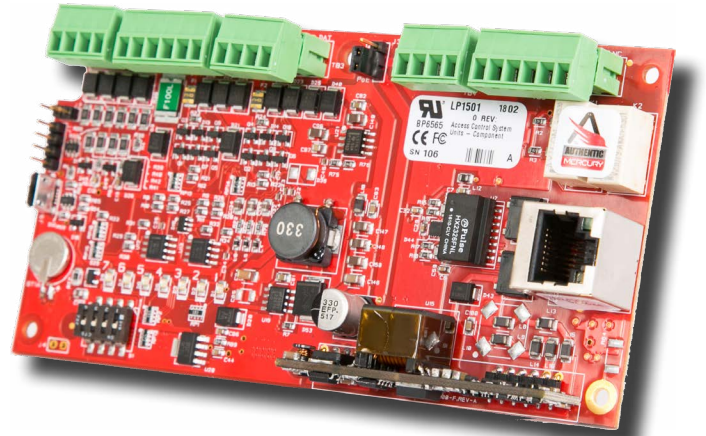


LP Series - AC-MER-CONT-LP1501

PoE+ Edge-capable Intelligent Controller

The Avigilon Access Control Manager (ACM) system supports open field hardware from Mercury Security allowing organizations to leverage investments in non-proprietary field hardware, with retrofit programs available for industry standard multi-device interface panels, power and communication controller boards, and intelligent controllers. The new Authentic Mercury LP Series Intelligent Controllers are Mercury Security's enhanced platform with an improved processor and increased memory, plus feature an embedded crypto memory chip that provides a secured layer of encryption to onboard sensitive data.

The AC-MER-CONT-LP1501 is an edge-capable intelligent controller that is expandable up to 8 downstream serial input/output modules and up to 16 AC-MER-RIM-MR62E network ready door controllers (for a total of 17 doors/openings). The feature-rich AC-MER-CONT-LP1501 provides a small footprint, cost-effective dual card reader panel for controlling a single opening. Easy installation with Power-over-Ethernet Plus (PoE+) makes the high performance, Ethernet ready AC-MER-CONT-LP1501 a top choice for a single-door controller.



KEY FEATURES

IP-to-the-Door: Supports PoE+ power, removing the cost of traditional power supplies and home-run wiring
Enhanced Security: Embedded crypto memory chip and data at rest encryption provides secured layer of protection of sensitive data
OSDP Protocol: Secure channel communications for reader connectivity
Host communications protected by TLS 1.2/1.1
Controller/IO Expansion connection protected by AES (Series 3 SIO)
Port based network access control using 802.1X
FIPS 140-2 user of OpenSSL
Supports multiple card formats, paired and alternate readers, elevator, turnstile and biometric devices
Anti-passback support (area, reader and time based)



Specifications

TECHNICAL SPECIFICATIONS			
Access Control	189,486 cardholder capacity 50,000 transaction buffer Supports total of 1 RS-485 IO protocol 16 Cardholder - 19 Digit (64 Bit) User ID with 8 digit PIN MAX Activation/Deactivation	If/Then macro capabilities Anti-passback support Nested, area, hard, soft and timed forgiveness Adjustable cardholder capacity Supports up to 130 inputs and 130 outputs	
Door Control	Natively supports for up to 2 readers and 1 opening; Using on-board OSDP, device controls 1 door. When not using on-board OSDP reader, device can expand to support up to 17 readers and openings in total		
Power Input	PoE (12.95 W), compliant to IEEE 802.3af or PoE+ (25 W), compliant to IEEE 802.3at or 12 Vdc +/- 10 %, 1.8 A maximum		
Power Output	PoE: 12 Vdc @ 625 mA including reader and AUX output * PoE+ or external 12 Vdc: 12 Vdc @ 1.25 A including reader and AUX output * * Excluding micro USB port		
Micro USB Port	5 Vdc maximum (deduct 270 mA from reader and Auxiliary Power output)		
Battery	SRAM Backup Battery, rechargeable		
Host Comm.	Ethernet: 10-BaseT/100Base-TX		
Inputs	Two unsupervised/supervised, Programmable End-of-Line resistors, 1k/1k ohm, 1 %, ¼ watt standard One unsupervised input dedicated for cabinet tamper		
Output Relays	Two relays: Form-C contacts: 2 A @ 30 Vdc, resistive		

READER INTERFACE		
Reader Power	12 Vdc ± 10 %: PoE, PoE+ or local power supply, 300 mA maximum	
Data Inputs	Reader port 1: TTL compatible, F/2F or 2-wire RS-485 Reader port 2: TTL compatible or F/2F	
LED Output	TTL compatible, high > 3 V, low < 0.5 V, 5 mA source/sink maximum	
Buzzer Output	Open collector, 12 Vdc open circuit maximum, 40 mA sink maximum	

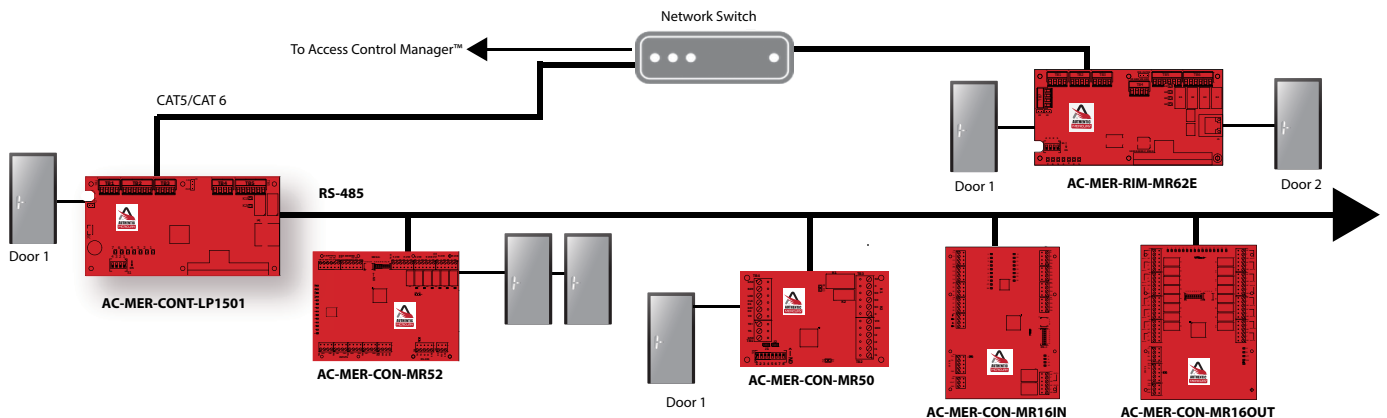
CABLE REQUIREMENTS		
Power and Relays	1 twisted pair, 18 AWG (when using local 12 Vdc power supply)	
Ethernet	CAT-5, minimum	
Reader TTL	6-conductor, 18 AWG, 500 ft. (152 m) maximum	
Reader F/2F	4-conductor, 18 AWG, 500 ft. (152 m) maximum	
Reader RS-485	1 twisted pair, shielded. 24 AWG, 120 ohm impedance, 2000 ft. (610 m) maximum	
Alarm Input	1 twisted pair per input, 30 ohms maximum	
Alarm Output	As required for the load	

ENVIRONMENTAL		
Temperature	-55 to 85 °C storage, 0 to 70 °C operating	
Humidity	5 to 95% RHNC	

MECHANICAL		
Dimensions	5.5 in. (140 mm) W x 2.75 in. (70 mm) L x 0.96 in. (24 mm) H without bracket 5.5 in. (140 mm) W x 3.63 in. (92 mm) L x 1.33 in. (34 mm) H with bracket	
Weight	3.6 oz. (103 g) without bracket 4.43 oz. (125.5 g) with bracket	

COMPLIANCE		
Product Compliance	UL294 Recognized*, FCC Part 15 Class A, CE Compliant, RoHS, NIST Certified Encryption	

* For UL, the Power Sourcing Equipment (PSE) such as a PoE or PoE+ enabled network switch and/or PoE or PoE+ power injectors must be UL Listed under UL294B.



ORDERING INFORMATION		
AC-MER-CONT-LP1501	LP Series - AC-MER-CONT- LP1501 - PoE+ Edge-capable Intelligent Controller	